

TRUE POSITION LOCATORS

TRU-POS[™]

*The Most Accurate and
Efficient Way to Measure the
True Position of a Tapped Hole**



*An essential
part of any
CMM Inspection
Package*

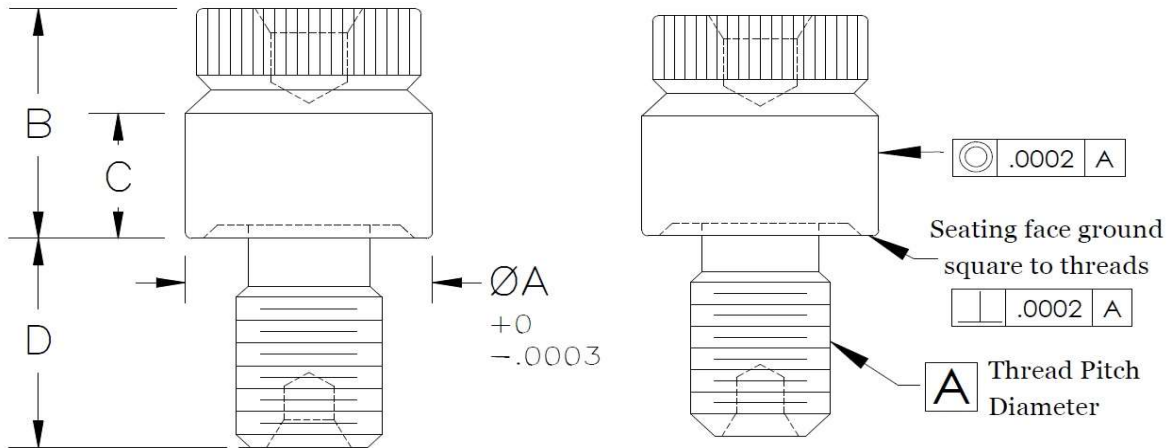
*Determine the
tapped hole location
by probing the
Locator Head*



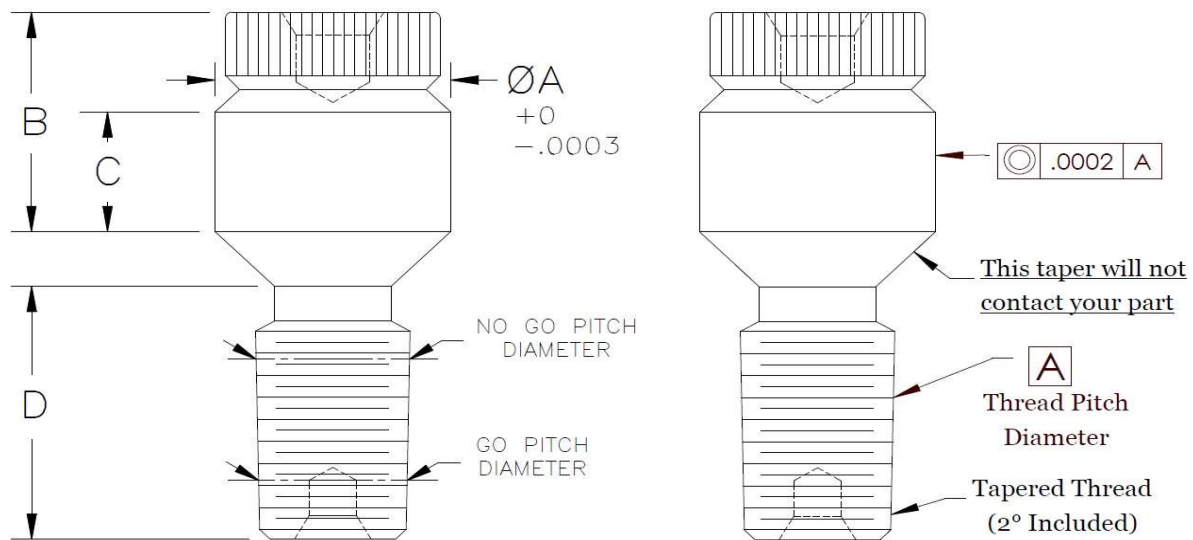
Kremer Precision
2205 W. Lone Cactus Drive, Ste. 19
Phoenix, AZ 85027
Phone: 866-TRU-POS1 Fax: 866-858-8347



*Straight seating
 for flat surfaces*



*Tapered style for
 irregular surfaces*



TRUE POSITION LOCATORS

TRU-POS™



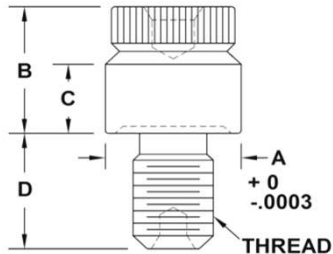
The Most Accurate Way to Measure the Position of a Tapped Hole

	PART NUMBER	THREAD	A	B	C	D	PRICE EACH
<p style="text-align: center;">UNIFIED SERIES</p>	1TP0080	0 - 80 UNF	.1700	.25	.16	.12	\$135.00
	1TP0164	1 - 64 UNC	.1700	.25	.16	.12	\$130.00
	1TP0172	1 - 72 UNF	.1700	.25	.16	.12	\$140.00
	1TP0256	2 - 56 UNC	.1700	.25	.17	.15	\$120.00
	1TP0264	2 - 64 UNF	.1700	.25	.17	.15	\$120.00
	1TP0348	3 - 48 UNC	.2000	.25	.17	.15	\$120.00
	1TP0356	3 - 56 UNF	.2000	.25	.17	.15	\$120.00
	1TP0440	4 - 40 UNC	.2000	.25	.17	.15	\$100.00
	1TP0448	4 - 48 UNF	.2000	.25	.17	.15	\$110.00
	1TP0540	5 - 40 UNC	.2000	.25	.17	.15	\$110.00
	1TP0544	5 - 44 UNF	.2000	.25	.17	.15	\$110.00
	1TP0632	6 - 32 UNC	.2500	.25	.17	.18	\$100.00
	1TP0640	6 - 40 UNF	.2500	.25	.17	.18	\$110.00
	1TP0648	6 - 48 UNS	.2500	.25	.17	.18	\$140.00
	1TP0832	8 - 32 UNC	.2500	.35	.21	.18	\$100.00
	1TP0836	8 - 36 UNF	.2500	.35	.21	.18	\$105.00
	1TP0840	8 - 40 UNS	.2500	.35	.21	.18	\$180.00
	1TP1024	10 - 24 UNC	.3100	.35	.21	.20	\$105.00
	1TP1028	10 - 28 UNS	.3100	.35	.21	.20	\$150.00
	1TP1032	10 - 32 UNF	.3100	.35	.21	.20	\$100.00
	1TP1036	10 - 36 UNS	.3100	.35	.21	.20	\$115.00
	1TP1048	10 - 48 UNS	.3100	.35	.21	.20	\$210.00
	1TP1224	12 - 24 UNC	.3600	.38	.23	.22	\$110.00
	1TP1228	12 - 28 UNF	.3600	.38	.23	.22	\$110.00
	1TP1232	12 - 32 UNEF	.3600	.38	.23	.22	\$140.00
	1TP1764	11/64 - 64 UNS	.3100	.35	.21	.20	\$150.00
	1TP2520	1/4 - 20 UNC	.4000	.40	.25	.25	\$100.00
	1TP2524	1/4 - 24 UNS	.4000	.40	.25	.25	\$115.00
	1TP2528	1/4 - 28 UNF	.4000	.40	.25	.25	\$100.00
	1TP2532	1/4 - 32 UNEF	.4000	.40	.25	.25	\$110.00
	1TP2536	1/4 - 36 UNS	.4000	.40	.25	.25	\$130.00
	1TP2540	1/4 - 40 UNS	.4000	.40	.25	.25	\$140.00
	1TP3118	5/16 - 18 UNC	.4000	.40	.25	.25	\$100.00
	1TP3120	5/16 - 20 UN	.4000	.40	.25	.25	\$200.00
	1TP3124	5/16 - 24 UNF	.4000	.40	.25	.25	\$100.00
1TP3128	5/16 - 28 UN	.4000	.40	.25	.25	\$105.00	
1TP3132	5/16 - 32 UNEF	.4000	.40	.25	.25	\$160.00	
1TP3424	11/32 - 24 UNS	.4500	.45	.30	.30	\$180.00	
1TP3432	11/32 - 32 UNS	.4500	.45	.30	.28	\$215.00	
1TP3716	3/8 - 16 UNC	.5000	.50	.33	.30	\$100.00	
1TP3718	3/8 - 18 UNS	.5000	.50	.33	.30	\$215.00	
1TP3720	3/8 - 20 UN	.5000	.50	.33	.30	\$200.00	
1TP3724	3/8 - 24 UNF	.5000	.50	.33	.30	\$100.00	
1TP3728	3/8 - 28 UN	.5000	.50	.33	.30	\$105.00	

Quantity Discounts Available!

Continued on next page

**UNIFIED
SERIES
(CONTINUED)**

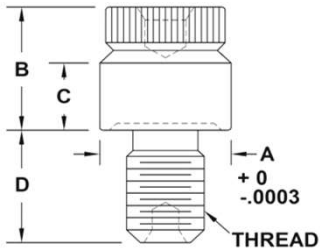


**Quantity
Discounts
Available!**

	PART NUMBER	THREAD	A	B	C	D	PRICE EACH
	1TP3732	3/8 - 32 UNEF	.5000	.50	.33	.30	\$130.00
	1TP3756	3/8 - 56 UN	.5000	.50	.33	.30	\$200.00
	1TP4314	7/16 - 14 UNC	.5500	.50	.33	.35	\$105.00
	1TP4320	7/16 - 20 UNF	.5500	.50	.33	.35	\$100.00
	1TP4324	7/16 - 24 UNS	.5500	.50	.33	.35	\$155.00
	1TP4332	7/16 - 32 UN	.5500	.50	.33	.35	\$105.00
	1TP5013	1/2 - 13 UNC	.6200	.50	.33	.40	\$105.00
	1TP5020	1/2 - 20 UNF	.6200	.50	.33	.40	\$105.00
	1TP5028	1/2 - 28 UNEF	.6200	.50	.33	.40	\$200.00
	1TP5032	1/2 - 32 UN	.6200	.50	.33	.40	\$200.00
	1TP5612	9/16 - 12 UNC	.6800	.50	.33	.45	\$115.00
	1TP5618	9/16 - 18 UNF	.6800	.50	.33	.45	\$110.00
	1TP5620	9/16 - 20 UN	.6800	.50	.33	.45	\$120.00
	1TP5624	9/16 - 24 UNEF	.6800	.50	.33	.45	\$120.00
	1TP5632	9/16 - 32 UN	.6800	.50	.33	.45	\$250.00
	1TP6211	5/8 - 11 UNC	.7500	.60	.43	.40	\$115.00
	1TP6216	5/8 - 16 UN	.7500	.60	.43	.40	\$150.00
	1TP6218	5/8 - 18 UNF	.7500	.60	.43	.40	\$120.00
	1TP6220	5/8 - 20 UN	.7500	.60	.43	.40	\$125.00
	1TP6224	5/8 - 24 UNEF	.7500	.60	.43	.40	\$145.00
	1TP6232	5/8 - 32 UN	.7500	.60	.43	.40	\$135.00
	1TP6811	11/16 - 11 UNC	.8700	.60	.43	.50	\$160.00
	1TP6816	11/16 - 16 UN	.8700	.60	.43	.50	\$185.00
	1TP6820	11/16 - 20 UN	.8700	.60	.43	.50	\$130.00
	1TP6824	11/16 - 24 UNEF	.8700	.60	.43	.50	\$130.00
	1TP6832	11/16 - 32 UN	.8700	.60	.43	.50	\$130.00
	1TP7510	3/4 - 10 UNC	.8700	.60	.43	.50	\$120.00
	1TP7516	3/4 - 16 UNF	.8700	.60	.43	.50	\$120.00
	1TP7518	3/4 - 18 UNS	.8700	.60	.43	.50	\$155.00
	1TP7520	3/4 - 20 UNEF	.8700	.60	.43	.50	\$125.00
	1TP7524	3/4 - 24 UNS	.8700	.60	.43	.50	\$125.00
	1TP7528	3/4 - 28 UN	.8700	.60	.43	.50	\$250.00
	1TP8116	13/16 - 16 UNF	.9300	.60	.43	.50	\$165.00
	1TP8120	13/16 - 20 UNEF	.9300	.60	.43	.50	\$200.00
	1TP8709	7/8 - 9 UNC	1.0000	.60	.43	.50	\$145.00
	1TP8714	7/8 - 14 UNF	1.0000	.60	.43	.50	\$145.00
	1TP8716	7/8 - 16 UN	1.0000	.60	.43	.50	\$165.00
	1TP8718	7/8 - 18 UNS	1.0000	.60	.43	.50	\$165.00
	1TP8720	7/8 - 20 UNEF	1.0000	.60	.43	.50	\$150.00
	1TP8728	7/8 - 28 UN	1.0000	.60	.43	.50	\$350.00
	1TP8732	7/8 - 32 UN	1.0000	.60	.43	.50	\$400.00
	1TP9309	15/16 - 9 UNS	1.1000	.60	.43	.50	\$400.00
	1TP9312	15/16 - 12 UN	1.1000	.60	.43	.50	\$300.00
	1TP9316	15/16 - 16 UN	1.1000	.60	.43	.50	\$185.00
	1TP9320	15/16 - 20 UNEF	1.1000	.60	.43	.50	\$165.00
	1TP10008	1" - 8 UNC	1.2000	.80	.60	.60	\$185.00
	1TP10012	1" - 12 UNF	1.2000	.80	.60	.60	\$185.00
	1TP10014	1" - 14 UNS	1.2000	.80	.60	.60	\$185.00
	1TP10016	1" - 16 UN	1.2000	.80	.60	.60	\$245.00
	1TP10020	1" - 20 UNEF	1.2000	.80	.60	.60	\$240.00
	1TP10028	1" - 28 UN	1.2000	.80	.60	.60	\$295.00

Continued on next page

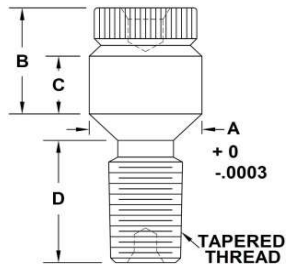
**UNIFIED
SERIES
(CONTINUED)**



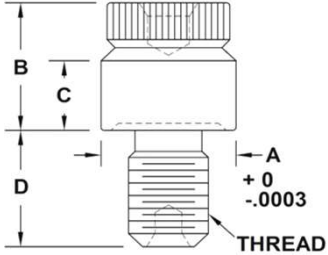
**Quantity
Discounts
Available!**

PART NUMBER	THREAD	A	B	C	D	PRICE EACH
1TP1.0612	1-1/16 - 12 UN	1.2400	.80	.60	.60	\$260.00
1TP1.0616	1-1/16 - 16 UN	1.2400	.80	.60	.60	\$295.00
1TP1.0618	1-1/16 - 18 UNEF	1.2400	.80	.60	.60	\$305.00
1TP1.0620	1-1/16 - 20 UN	1.2400	.80	.60	.60	\$305.00
1TP1.1207	1-1/8 - 7 UNC	1.3200	.90	.65	.80	\$330.00
1TP1.1208	1-1/8 - 8 UN	1.3200	.90	.65	.80	\$325.00
1TP1.1212	1-1/8 - 12 UNF	1.3200	.90	.65	.80	\$350.00
1TP1.1216	1-1/8 - 16 UN	1.3200	.90	.65	.80	\$385.00
1TP1.1218	1-1/8 - 18 UNEF	1.3200	.90	.65	.80	\$325.00
1TP1.1812	1-3/16 - 12 UN	1.3800	1.00	.70	.83	\$385.00
1TP1.1816	1-3/16 - 16 UN	1.3800	1.00	.70	.83	\$365.00
1TP1.1818	1-3/16 - 18 UNEF	1.3800	1.00	.70	.83	\$365.00
1TP1.1820	1-3/16 - 20 UN	1.3800	1.00	.70	.83	\$385.00
1TP1.1824	1-3/16 - 24 UN	1.3800	1.00	.70	.83	\$365.00
1TP1.2507	1-1/4 - 7 UNC	1.4500	1.06	.70	.90	\$400.00
1TP1.2508	1-1/4 - 8 UN	1.4500	1.06	.70	.90	\$380.00
1TP1.2512	1-1/4 - 12 UNF	1.4500	1.06	.70	.90	\$400.00
1TP1.2518	1-1/4 - 18 UNEF	1.4500	1.06	.70	.90	\$400.00
1TP1.2520	1-1/4 - 20 UN	1.4500	1.06	.70	.90	\$400.00
1TP1.3112	1-5/16 - 12 UN	1.5000	1.06	.70	.90	\$380.00
1TP1.3116	1-5/16 - 16 UN	1.5000	1.06	.70	.90	\$380.00
1TP1.3118	1-5/16 - 18 UNEF	1.5000	1.06	.70	.90	\$380.00
1TP1.3120	1-5/16 - 20 UN	1.5000	1.06	.70	.90	\$380.00
1TP1.3706	1-3/8 - 6 UN	1.5500	1.06	.70	.90	\$400.00
1TP1.3708	1-3/8 - 8 UN	1.5500	1.06	.70	.90	\$380.00
1TP1.3712	1-3/8 - 12 UNF	1.5500	1.06	.70	.90	\$380.00
1TP1.3716	1-3/8 - 16 UN	1.5500	1.06	.70	.90	\$500.00
1TP1.3718	1-3/8 - 18 UNEF	1.5500	1.06	.70	.90	\$420.00
1TP1.3728	1-3/8 - 28 UN	1.5500	1.06	.70	.90	\$580.00
1TP1.4316	1-7/16 - 16 UN	1.6400	1.08	.70	.90	\$430.00
1TP1.4318	1-7/16 - 18 UNEF	1.6400	1.08	.70	.90	\$400.00
1TP1.5006	1-1/2 - 6 UNC	1.7200	1.10	.70	.90	\$400.00
1TP1.5008	1-1/2 - 8 UN	1.7200	1.10	.70	.90	\$400.00
1TP1.5012	1-1/2 - 12 UNF	1.7200	1.10	.70	.90	\$400.00
1TP1.5016	1-1/2 - 16 UN	1.7200	1.10	.70	.90	\$400.00
1TP1.5018	1-1/2 - 18 UNEF	1.7200	1.10	.70	.90	\$400.00
1TP1.5616	1-9/16 - 16 UN	1.7800	1.10	.70	.90	\$420.00
1TP1.5620	1-9/16 - 20 UN	1.7800	1.10	.70	.90	\$445.00
1TP1.6208	1-5/8 - 8 UN	1.8500	1.10	.70	.90	\$425.00
1TP1.6212	1-5/8 - 12 UN	1.8500	1.10	.70	.90	\$425.00
1TP1.6216	1-5/8 - 16 UN	1.8500	1.10	.70	.90	\$425.00
1TP1.6218	1-5/8 - 18 UNEF	1.8500	1.10	.70	.90	\$425.00
1TP1.7512	1-3/4 - 12 UN	2.0000	1.10	.70	.90	\$500.00
1TP1.7518	1-3/4 - 18 UNS	2.0000	1.10	.70	.90	\$500.00
1TP1.8116	1-13/16 - 16 UN	2.0500	1.10	.70	.90	\$680.00
1TP1.8712	1-7/8 - 12 UNS	2.1000	1.10	.70	.90	\$450.00
1TP2.0008	2 - 8 UN	2.2200	1.20	.80	.90	\$500.00
1TP2.0016	2 - 16 UN	2.2200	1.20	.80	.90	\$690.00
1TP2.2512	2-1/4 - 12 UN	2.4700	1.40	1.00	1.00	\$550.00

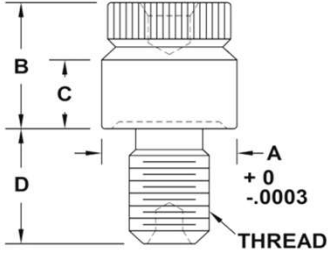
	PART NUMBER	THREAD	A	B	C	D	PRICE EACH
TAPERED UNIFIED SERIES	1TP0080 - T	0 - 80 UNF	.1700	.25	.16	.13	\$150.00
	1TP0172 - T	1 - 72 UNF	.1700	.25	.16	.17	\$170.00
	1TP0256 - T	2 - 56 UNC	.1700	.25	.17	.19	\$125.00
	1TP0348 - T	3 - 48 UNC	.2000	.25	.17	.20	\$170.00
	1TP0440 - T	4 - 40 UNC	.2000	.25	.17	.23	\$110.00
	1TP0448 - T	4 - 48 UNF	.2000	.25	.17	.207	\$170.00
	1TP0540 - T	5 - 40 UNF	.2500	.35	.17	.24	\$170.00
	1TP0544 - T	5 - 44 UNF	.2500	.25	.17	.24	\$170.00
	1TP0632 - T	6 - 32 UNC	.2500	.25	.17	.26	\$110.00
	1TP0640 - T	6 - 40 UNF	.2500	.25	.17	.26	\$120.00
	1TP0832 - T	8 - 32 UNC	.2500	.35	.21	.29	\$110.00
	1TP0856 - T	8 - 56 UNS	.2500	.35	.21	.19	\$250.00
	1TP1024 - T	10 - 24 UNC	.3100	.35	.21	.36	\$120.00
	1TP1032 - T	10 - 32 UNF	.3100	.35	.21	.29	\$110.00
	1TP1040 - T	10 - 40 UNS	.3100	.35	.21	.25	\$200.00
	1TP1228 - T	12 - 28 UNF	.3600	.38	.23	.27	\$120.00
	1TP1232 - T	12 - 32 UNEF	.3600	.38	.23	.27	\$140.00
	1TP1236 - T	12 - 36 UNS	.3600	.38	.23	.27	\$160.00
	1TP2520 - T	1/4 - 20 UNC	.4000	.40	.25	.44	\$110.00
	1TP2528 - T	1/4 - 28 UNF	.4000	.40	.25	.35	\$120.00
	1TP2532 - T	1/4 - 32 UNEF	.4000	.40	.25	.32	\$160.00
	1TP3118 - T	5/16 - 18 UNC	.4000	.40	.25	.47	\$120.00
	1TP3124 - T	5/16 - 24 UNF	.4000	.40	.25	.37	\$120.00
	1TP3716 - T	3/8 - 16 UNC	.5000	.50	.33	.53	\$120.00
	1TP3724 - T	3/8 - 24 UNF	.5000	.50	.33	.37	\$120.00
	1TP3732 - T	3/8 - 32 UNEF	.5000	.50	.33	.37	\$145.00
	1TP4314 - T	7/16 - 14 UNC	.5500	.50	.33	.58	\$120.00
	1TP4320 - T	7/16 - 20 UNF	.5500	.50	.33	.41	\$120.00
	1TP4324 - T	7/16 - 24 UNS	.5500	.50	.33	.39	\$180.00
	1TP4328 - T	7/16 - 28 UNEF	.5500	.50	.33	.38	\$180.00
	1TP5013 - T	1/2 - 13 UNC	.6200	.50	.33	.64	\$130.00
	1TP5020 - T	1/2 - 20 UNF	.6200	.50	.33	.49	\$130.00
	1TP5612 - T	9/16 - 12 UN	.6800	.50	.33	.61	\$150.00
	1TP5618 - T	9/16 - 18 UNF	.6800	.50	.33	.49	\$150.00
	1TP5624 - T	9/16 - 24 UNEF	.6800	.50	.33	.36	\$250.00
	1TP6218 - T	5/8 - 18 UNF	.7500	.60	.43	.48	\$180.00
	1TP6224 - T	5/8 - 24 UNEF	.7500	.60	.43	.40	\$180.00
	1TP7510 - T	3/4 - 10 UNC	.8700	.60	.43	.73	\$200.00
	1TP7516 - T	3/4 - 16 UNF	.8700	.60	.43	.54	\$200.00
	1TP7524 - T	3/4 - 24 UNS	.8700	.60	.43	.53	\$260.00
1TP8116 - T	13/16 - 16 UN	.9300	.60	.43	.52	\$400.00	
1TP8120 - T	13/16 - 20 UNEF	.9300	.60	.43	.44	\$260.00	
1TP8714 - T	7/8 - 14 UNF	1.0000	.60	.43	.60	\$240.00	
1TP8720 - T	7/8 - 20 UNEF	1.0000	.60	.43	.46	\$300.00	
1TP9316 - T	15/16 - 16 UN	1.1000	.60	.43	.56	\$300.00	
1TP1.0012 - T	1-12 UNF	1.2000	.80	.60	.67	\$300.00	
1TP1.0612 - T	1-1/16 - 12 UN	1.2400	.80	.60	.67	\$400.00	
1TP1.0618 - T	1-1/16 - 18 UNEF	1.2400	.80	.60	.50	\$425.00	
1TP1.1212 - T	1-1/8 - 12 UNF	1.3200	.90	.65	.68	\$450.00	
1TP1.1812 - T	1-3/16 - 12 UN	1.3800	1.00	.70	.74	\$425.00	
1TP1.2512 - T	1-1/4 - 12 UNF	1.4500	1.06	.70	.67	\$450.00	
1TP1.5012 - T	1-1/2 - 12 UNF	1.7200	1.10	.70	.74	\$500.00	



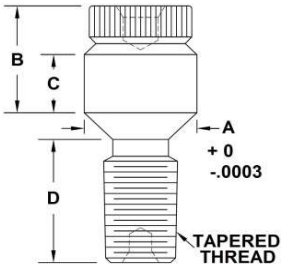
**Quantity
Discounts
Available!**

	PART NUMBER	THREAD	A	B	C	D	PRICE EACH
<p>METRIC SERIES</p>  <p><i>Quantity Discounts Available!</i></p>	MTPM0.8 - .2	M0.8 x .2	.1500	.25	.16	.10	\$520.00
	MTPM1.6 - .20	M1.6 X 0.20	.1700	.25	.16	.15	\$425.00
	MTPM1.6 - .35	M1.6 X 0.35	.1700	.25	.16	.15	\$160.00
	MTPM1.8	M1.8 X 0.35	.1700	.25	.16	.15	\$165.00
	MTPM2	M2 X 0.4	.1700	.25	.16	.15	\$145.00
	MTPM2 - .25	M2 X 0.25	.1700	.25	.16	.15	\$155.00
	MTPM2.2	M2.2 X 0.45	.1700	.25	.16	.15	\$165.00
	MTPM2.5	M2.5 X 0.45	.2000	.25	.17	.15	\$160.00
	MTPM2.6 - .45	M2.6 X 0.45	.2000	.25	.17	.15	\$165.00
	MTPM3	M3 X 0.5	.2000	.25	.17	.15	\$125.00
	MTPM3 - .35	M3 X 0.35	.2000	.25	.17	.15	\$170.00
	MTPM3.5	M3.5 X 0.6	.2500	.25	.17	.18	\$125.00
	MTPM4	M4 X 0.7	.2500	.35	.21	.18	\$125.00
	MTPM4 - .5	M4 X 0.5	.2500	.35	.21	.18	\$135.00
	MTPM4.5 - .75	M4.5 X 0.75	.2800	.35	.21	.19	\$140.00
	MTPM5	M5 X 0.8	.3100	.35	.21	.20	\$120.00
	MTPM5 - .5	M5 X 0.5	.3100	.35	.21	.20	\$135.00
	MTPM6	M6 X 1.0	.4000	.40	.25	.25	\$120.00
	MTPM6 - .5	M6 X 0.5	.4000	.40	.25	.25	\$250.00
	MTPM6 - .75	M6 X 0.75	.4000	.40	.25	.25	\$145.00
	MTPM6.5	M6.5 X 1.0	.4000	.40	.25	.25	\$200.00
	MTPM7	M7 X 1.0	.4000	.40	.25	.25	\$150.00
	MTPM8	M8 X 1.25	.4000	.40	.25	.25	\$120.00
	MTPM8 - .5	M8 X 0.5	.4000	.40	.25	.25	\$170.00
	MTPM8-.75	M8 X 0.75	.4000	.40	.25	.25	\$200.00
	MTPM8 - 1	M8 X 1.0	.4000	.40	.25	.25	\$120.00
	MTPM8 - 1.5	M8 X 1.5	.4000	.40	.25	.25	\$150.00
	MTPM9	M9 X 1.25	.5000	.50	.33	.30	\$150.00
	MTPM10	M10 X 1.5	.5000	.50	.33	.30	\$125.00
	MTPM10 - .5	M10 X 0.5	.5000	.50	.33	.30	\$140.00
	MTPM10 - 1	M10 X 1.0	.5000	.50	.33	.30	\$125.00
	MTPM10 - 1.25	M10 X 1.25	.5000	.50	.33	.30	\$125.00
	MTPM11	M11 X 2.0	.5500	.50	.33	.35	\$200.00
	MTPM11 - 1.5	M11 X 1.5	.5000	.50	.33	.35	\$185.00
	MTPM12	M12 X 1.75	.6200	.50	.33	.40	\$125.00
MTPM12 - .75	M12 X 0.75	.6200	.50	.33	.40	\$125.00	
MTPM12 - 1	M12 X 1.0	.6200	.50	.33	.40	\$125.00	
MTPM12 - 1.25	M12 X 1.25	.6200	.50	.33	.40	\$130.00	
MTPM12 - 1.5	M12 X 1.5	.6200	.50	.33	.40	\$130.00	
MTPM13	M13 X 1.5	.6200	.50	.33	.40	\$250.00	
MTPM14	M14 X 2.0	.6800	.60	.43	.40	\$140.00	
MTPM14 - 1	M14 X 1.0	.6800	.60	.43	.40	\$150.00	
MTPM14 - 1.25	M14 X 1.25	.6800	.60	.43	.40	\$150.00	
MTPM14 - 1.5	M14 X 1.5	.6800	.60	.43	.40	\$140.00	
MTPM15 - 1.5	M15 X 1.5	.6800	.60	.43	.40	\$250.00	
MTPM15 - 2.0	M15 X 2.0	.6800	.60	.43	.40	\$250.00	

Continued on next page

	PART NUMBER	THREAD	A	B	C	D	PRICE EACH
<p>METRIC SERIES (CONTINUED)</p>  <p>Quantity Discounts Available!</p>	MTPM16	M16 X 2.0	.7500	.60	.43	.40	\$150.00
	MTPM16 - 1	M16 X 1.0	.7500	.60	.43	.40	\$210.00
	MTPM16 - 1.5	M16 X 1.5	.7500	.60	.43	.40	\$150.00
	MTPM17	M17 X 1.0	.8400	.60	.43	.40	\$185.00
	MTPM17 - 1.5	M17 X 1.5	.8400	.60	.43	.40	\$185.00
	MTPM18	M18 X 2.5	.8700	.60	.43	.45	\$180.00
	MTPM18 - 1.0	M18 X 1.0	.8700	.60	.43	.45	\$185.00
	MTPM18 - 1.25	M18 X 1.25	.8700	.60	.43	.45	\$250.00
	MTPM18 - 1.5	M18 X 1.5	.8700	.60	.43	.45	\$160.00
	MTPM20	M20 X 2.5	.9300	.60	.43	.50	\$160.00
	MTPM20 - 1	M20 X 1.0	.9300	.60	.43	.50	\$180.00
	MTPM20 - 1.5	M20 X 1.5	.9300	.60	.43	.50	\$180.00
	MTPM22 - 1.5	M22 X 1.5	1.0200	.60	.43	.50	\$180.00
	MTPM22 - 2.5	M22 X 2.5	1.0200	.60	.43	.50	\$180.00
	MTPM24 - 1	M24 X 1.0	1.1000	.60	.43	.50	\$180.00
	MTPM24 - 1.5	M24 X 1.5	1.1000	.60	.43	.50	\$250.00
	MTPM24 - 2	M24 X 2.0	1.1000	.60	.43	.50	\$250.00
	MTPM24 - 3	M24 X 3.0	1.1000	.60	.43	.50	\$250.00
	MTPM25 - 1.5	M25 X 1.5	1.2000	.80	.60	.60	\$380.00
	MTPM26 - 1.5	M26 X 1.5	1.2300	.80	.60	.60	\$275.00
	MTPM27 - 1.5	M27 X 1.5	1.2400	.80	.60	.60	\$315.00
	MTPM27 - 2	M27 X 2.0	1.2400	.80	.60	.60	\$245.00
	MTPM28 - 1	M28 X 1.0	1.2800	.90	.65	.80	\$245.00
	MTPM30 - 1.5	M30 X 1.5	1.3800	1.00	.70	.83	\$245.00
	MTPM30 - 2	M30 X 2.0	1.3800	1.00	.70	.83	\$315.00
	MTPM30	M30 X 3.5	1.3800	1.00	.70	.83	\$250.00
	MTPM33 - 1.5	M33 X 1.5	1.5000	1.06	.70	.90	\$285.00
	MTPM33 - 2	M33 X 2.0	1.5000	1.06	.70	.90	\$300.00
	MTPM36 - 1.5	M36 X 1.5	1.6100	1.06	.70	.90	\$450.00
	MTPM36 - 2	M36 X 2.0	1.6100	1.06	.70	.90	\$340.00
	MTPM36 - 4	M36 X 4.0	1.6100	1.06	.70	.90	\$345.00
	MTPM38 - 1.5	M38 X 1.5	1.7200	1.10	.70	.90	\$355.00
	MTPM38 - 2.0	M38 X 2.0	1.7200	1.10	.70	.90	\$450.00
	MTPM39 - 2	M39 x 2.0	1.7800	1.10	.70	.90	\$700.00
	MTPM40 - 1	M40 X 1.0	1.8000	1.10	.70	.90	\$700.00
	MTPM42 - 2	M42 X 2.0	1.8500	1.10	.75	.90	\$390.00

**TAPERED
METRIC
SERIES**



**Quantity
Discounts
Available!**

	PART NUMBER	THREAD	A	B	C	D	PRICE EACH
	MTPM1.6 - .35 - T	M1.6 X 0.35	.1700	.25	.16	.17	\$195.00
	MTPM2 - T	M2 X 0.4	.1700	.25	.16	.17	\$170.00
	MTPM2.5 - T	M2.5 X 0.45	.2000	.25	.17	.22	\$170.00
	MTPM3 - T	M3 X 0.5	.2000	.25	.17	.24	\$150.00
	MTPM3.5 - T	M3.5 X 0.6	.2500	.25	.17	.28	\$170.00
	MTPM4 - T	M4 X 0.7	.2500	.35	.21	.32	\$150.00
	MTPM5 - T	M5 X 0.8	.3100	.35	.21	.34	\$150.00
	MTPM6 - T	M6 X 1.0	.4000	.40	.25	.42	\$150.00
	MTPM7 - T	M7 X 1.0	.4000	.40	.25	.41	\$170.00
	MTPM8 - T	M8 X 1.25	.4000	.40	.25	.48	\$150.00
	MTPM8 - .75 - T	M8 X 0.75	.4000	.40	.25	.33	\$240.00
	MTPM8 - 1 - T	M8 X 1.0	.4000	.40	.25	.41	\$220.00
	MTPM8 - 1.5 - T	M8 X 1.5	.4000	.40	.25	.54	\$170.00
	MTPM10 - T	M10 X 1.5	.5000	.50	.33	.56	\$150.00
	MTPM10 - 1 - T	M10 X 1.0	.5000	.50	.33	.44	\$185.00
	MTPM10 - 1.25 - T	M10 X 1.25	.5000	.50	.33	.49	\$170.00
	MTPM12 - T	M12 X 1.75	.6200	.50	.33	.60	\$170.00
	MTPM12 - 1 - T	M12 X 1.0	.6200	.50	.33	.43	\$190.00
	MTPM12 - 1.25 - T	M12 X 1.25	.6200	.50	.33	.52	\$170.00
	MTPM12 - 1.5 - T	M12 X 1.5	.6200	.50	.33	.58	\$170.00
	MTPM13 - T	M13 X 1.5	.6200	.50	.33	.53	\$170.00
	MTPM14 - T	M14 X 2.0	.6800	.60	.43	.69	\$170.00
	MTPM14 - 1.25 - T	M14 X 1.25	.6800	.60	.43	.48	\$170.00
	MTPM14 - 1.5 - T	M14 X 1.5	.6800	.60	.43	.55	\$170.00
	MTPM15 - T	M15 X 1.0	.7100	.60	.43	.44	\$180.00
	MTPM16 - T	M16 X 2.0	.7500	.60	.43	.68	\$180.00
	MTPM16 - 1 - T	M16 X 1.0	.7500	.60	.43	.41	\$250.00
	MTPM16 - 1.5 - T	M16 X 1.5	.7500	.60	.43	.54	\$250.00
	MTPM18 - 1.5 - T	M18 X 1.5	.8700	.60	.43	.57	\$250.00
	MTPM20 - 1.5 - T	M20 X 1.5	.9300	.60	.43	.55	\$250.00
	MTPM22 - 1.5 - T	M22 X 1.5	1.0200	.60	.43	.56	\$220.00
	MTPM24 - 1.5 - T	M24 X 1.5	1.1000	.60	.43	.58	\$250.00
	MTPM26 - 1.5 - T	M26 X 1.5	1.2300	.80	.60	.61	\$250.00
	MTPM33 - 2 - T	M33 X 2.0	1.5000	1.06	.70	.74	\$300.00
	MTPM33 - 3.5 - T	M33 X 3.5	1.5000	1.06	.70	1.06	\$360.00
	MTPM36 - 1.5 - T	M36 X 1.5	1.6100	1.06	.70	.90	\$600.00

	PART NUMBER	THREAD	A	B	C	D	PRICE EACH
HELI-COIL® SERIES <i>NOTE: Intended for use prior to installation of Heli-Coil inserts.</i> Quantity Discounts Available!	HTP0256	2 - 56 UNC	.2000	.25	.17	.15	\$135.00
	HTP0348	3 - 48 UNC	.2000	.25	.17	.15	\$135.00
	HTP0440	4 - 40 UNC	.2500	.25	.17	.18	\$135.00
	HTP0632	6 - 32 UNC	.3000	.34	.20	.20	\$135.00
	HTP0640	6 - 40 UNF	.3000	.34	.20	.20	\$180.00
	HTP0832	8 - 32 UNC	.3000	.34	.20	.20	\$135.00
	HTP0836	8 - 36 UNF	.3000	.34	.20	.20	\$135.00
	HTP1024	10 - 24 UNC	.4000	.40	.25	.25	\$135.00
	HTP1032	10 - 32 UNF	.4000	.40	.25	.25	\$130.00
	HTP2520	1/4 - 20 UNC	.4000	.40	.25	.25	\$150.00
	HTP2528	1/4 - 28 UNF	.4000	.40	.25	.25	\$150.00
	HTP3118	5/16 - 18 UNC	.5000	.50	.33	.30	\$150.00
	HTP3124	5/16 - 24 UNF	.5000	.50	.33	.30	\$150.00
	HTP3716	3/8 - 16 UNC	.6200	.50	.33	.40	\$150.00
	HTP3724	3/8 - 24 UNF	.6200	.50	.33	.40	\$160.00
	HTP4314	7/16 - 14 UNC	.6200	.50	.33	.40	\$200.00
	HTP4320	7/16 - 20 UNF	.6200	.50	.33	.40	\$160.00
	HTP5013	1/2 - 13 UNC	.7000	.60	.43	.40	\$150.00
	HTP5020	1/2 - 20 UNF	.7000	.60	.43	.40	\$150.00
	HTP5612	9/16 - 12 UN	.8000	.60	.43	.50	\$200.00
HTP7510	3/4 - 10 UNC	1.0000	.60	.43	.50	\$200.00	
TAPERED HELI-COIL® SERIES	HTP0256 - T	2 - 56 UNC	.2000	.25	.17	.16	\$260.00
	HTP0440-T	4 - 40 UNC	.2500	.25	.17	.21	\$260.00
	HTP0632-T	6 - 32 UNC	.3000	.34	.20	.27	\$260.00
	HTP1032 - T	10 - 32 UNF	.4000	.40	.25	.27	\$270.00
	HTP2528 - T	1/4 - 28 UNF	.4000	.40	.25	.32	\$270.00
	HTP3724 - T	3/8 - 24 UNF	.6200	.50	.33	.40	\$280.00
METRIC HELI-COIL® SERIES	HTPM2	M2 X 0.4	.2000	.25	.17	.15	\$230.00
	HTPM2.5	M2.5 X 0.45	.2000	.25	.17	.15	\$165.00
	HTPM3 - .5	M3 X 0.5	.2500	.35	.21	.18	\$165.00
	HTPM4	M4 X 0.7	.3100	.35	.21	.20	\$170.00
	HTPM5 - .8	M5 X 0.8	.4000	.40	.25	.25	\$180.00
	HTPM6 - 1	M6 X 1.0	.4000	.40	.25	.25	\$175.00
	HTPM8	M8 X 1.0	.5000	.50	.33	.30	\$180.00
	HTPM8 - 1.25	M8 X 1.25	.5000	.50	.33	.30	\$180.00
	HTPM10	M10 X 1.5	.6200	.50	.33	.40	\$200.00
	HTPM12	M12 X 1.75	.6800	.50	.33	.45	\$210.00
	HTPM14	M14 X 2.00	.7500	.60	.43	.50	\$225.00
	HTPM16	M16 X 2.00	.8600	.60	.43	.50	\$225.00
	HTPM27-2	M27 X 2.00	1.3800	1.00	.70	.73	\$440.00

	PART NUMBER	THREAD	A	B	C	D	PRICE EACH
NPT PIPE THREAD SERIES	PTP0627	1/16 - 27 NPT	.3300	.35	.21	.30	\$210.00
	PTP1227	1/8 - 27 NPT	.4200	.42	.27	.30	\$210.00
	PTP2518	1/4 - 18 NPT	.6000	.50	.33	.42	\$225.00
	PTP3718	3/8 - 18 NPT	.7000	.60	.43	.43	\$230.00
	PTP5014	1/2 - 14 NPT	.8700	.60	.43	.62	\$240.00
	PTP7514	3/4 - 14 NPT	1.0800	.65	.48	.64	\$260.00
	PTP1.011.5	1 - 11-1/2 NPT	1.3500	.80	.60	.80	\$300.00
	PTP1.2511.5	1-1/4 - 11-1/2 NPT	1.7100	.90	.70	.81	\$440.00
	PTP1.5011.5	1-1/2 - 11-1/2 NPT	1.8200	1.00	.80	.82	\$450.00
NPSF PIPE THREAD SERIES (STRAIGHT)	PTP0627NPSF	1/16 - 27 NPSF	.4000	.40	.25	.25	\$240.00
	PTP1227NPSF	1/8 - 27 NPSF	.5000	.50	.33	.30	\$240.00
	PTP2518NPSF	1/4 - 18 NPSF	.6500	.55	.38	.36	\$250.00
	PTP3718NPSF	3/8 - 18 NPSF	.8000	.60	.43	.43	\$260.00
	PTP5014NPSF	1/2 - 14 NPSF	.9300	.60	.43	.50	\$280.00
NPTF PIPE THREAD SERIES (TAPERED)	PTP0627NPTF	1/16 - 27 NPTF	.3300	.35	.21	.30	\$270.00
	PTP1227NPTF	1/8 - 27 NPTF	.4200	.42	.27	.30	\$270.00
	PTP2518NPTF	1/4 - 18 NPTF	.6000	.50	.33	.42	\$285.00
	PTP3718NPTF	3/8 - 18 NPTF	.7000	.60	.43	.43	\$290.00
	PTP5014NPTF	1/2 - 14 NPTF	.8700	.60	.43	.62	\$300.00
	PTP7514NPTF	3/4 - 14 NPTF	1.0800	.65	.48	.64	\$320.00
	PTP1.011.5NPTF	1 - 11-1/2 NPTF	1.3500	.80	.60	.80	\$360.00
	PTP1.2511.5NPTF	1-1/4 - 11-1/2 NPTF	1.7100	.90	.70	.81	\$500.00
	PTP1.5011.5NPTF	1-1/2 - 11-1/2 NPTF	1.8200	1.00	.80	.82	\$510.00
BRITISH PIPE THREAD SERIES (STRAIGHT)	BSPP-0125	G 1/8 x 28	.5000	.50	.33	.30	\$450.00
	BSPP-0250	G 1/4 x 19	.6200	.50	.33	.40	\$425.00
	BSPP-0375	G 3/8 x 19	.8000	.60	.43	.43	\$425.00
	BSPP-0500	G 1/2 x 14	.9600	.60	.43	.50	\$450.00
	BSPP-0750	G 3/4 x 14	1.2000	.80	.60	.60	\$450.00
	BSPP-1000	G 1 x 11	1.5000	1.06	.70	.90	\$480.00
	BSPP-1250	G 1-1/4 x 11	1.8500	1.10	.70	.90	\$500.00
	BSPP-1500	G 1-1/2 x 11	2.1000	1.00	.70	.90	\$600.00
	BRITISH PIPE THREAD SERIES (TAPERED)	BSPT-0125	R- 1/8 x 28	.4200	.42	.27	.30
BSPT-0375		R- 3/8 x 19	.7000	.60	.43	.46	\$450.00

**Quantity
Discounts
Available!**

TRUE POSITION LOCATORS
TRU-POS™
The Most Accurate Way to Measure the Position of a Tapped Hole



Have a requirement for an unusual thread size or head configuration? Don't hesitate to call - we may have it in stock! If not, we can manufacture to your specifications. Call for a prompt quotation.

AVAILABILITY: Stock sizes available for immediate delivery. No minimum order is required. Specials can be produced to your specifications.

PACKAGING: Quantities of 5 or more will be shipped in a hardwood box at no additional charge.

ADDITIONAL HARDWOOD TP-BOX-12 (Storage for 12 Locators*) \$40 each.

BOXES: TP-BOX-12 (Storage for 27 Locators*) \$50 each.

*Larger size locators may not fit in storage box. Box has removable insert.

DISCOUNTS: For quantities of 6 to 10 pieces (any mix of series) a discount of 10% will apply. For quantities of 11 or more a discount of 15% will apply. Discounts do not apply to certifications.

CERTIFICATION: A **Certificate of Compliance** is available at an additional charge of \$8.00 per item.

A **Lot Certificate of Compliance** is available at an additional charge of \$20.00 per lot. All parts must be the same style (ie. Unified, Metric, Tapered Unified, Tapered Metric, etc.).

A **Certificate of Calibration** is available at an additional charge of \$15.00 per item. *Certificate of Calibration must be requested at time order is placed.*

RECALIBRATION: Tru-Pos™ Locators may be returned for recalibration at \$20 per item.

SHIPMENTS: Via U.P.S. unless otherwise requested. Prices do not include shipping.

TERMS: U.S. Accounts: COD, MasterCard, Visa, Amex or NET 30 Days (if credit is established). EXPORT Accounts: MasterCard, Visa, Amex or advanced wire transfer. Shipments: FOB Origin, Freight: Prepay & Add or Collect



Kremer Precision

2205 W. Lone Cactus Drive, Unit 19, Phoenix, AZ 85027

866.TRU-POS1 (866.878-7671)

e-mail: orders@kremerprecision.com

www.tru-pos.com



Order Online!

Last Revision: February 5, 2023 - Prices subject to change without notice